

Hydraulic Jacks & Tools Electric power pack, battery driven



PYB-1,0
with optional
pressure gauge
GYA-63

PYB-0,6

PYB Elektric power pack, battery driven

Operating pressure max. 700 bar

The Yale PYB cordless power pack provides a flexible edition to the Yale hydraulic programme.

This extremely compact and lightweight power pack gives the user the freedom to operate in areas where there is no power source, increasing productivity over the conventional hand pump and all at the push of a button.

The power pack utilises a standard HiKOKI LI-ION battery and charger to maximize operation.

Ideal for a range of applications using small to mid size single-acting cylinders, hydraulic spreaders, lifting wedges nut splitters and much more.

Features

- Operating pressure max. 700 bar
- One-Hand-Operation. Push-button integrated into ergonomic handle.
- Two-stage operation with automatic switch-over.
- With internal pressure relief valve.
- Reservoir made from aluminium, extreme low weight.
- Protective cover to prevent inadvertent switch on of pump.
- Rubber tank bladder enables the pump to be used in any position.

Options/Accessories

Standard HiKOKI batteries (Typ BSL36A18x2) and chargers are exclusively used.

- Battery model PYB-BAT, 18V, weight 0.7 kg
Art.-No. 192043950
- Quick-charger model PYB-CHARG,
230V and 12V (car plug socket incl.)
Art.-No. 192043961
- Pressure gauge set model GYA-63 consisting of:
gauge GGY 632, Ø63 mm, 0 - 1000 bar and adaptor.
Art.-No. N14200497
- Hydraulic hose model HHC (to complete the connection a male coupler half CMY-1 is required)

Scope of delivery

- Electric power pack, battery driven
- Oil filled ready for work
- Female coupler half CFY-1
- Shoulder belt



Ideal application in combination with compact, portable hydraulic tools like spreaders, lifting wedges, low profile and flat cylinders as well as nut splitters.

Hydraulic Jacks & Tools Electric power pack, battery driven

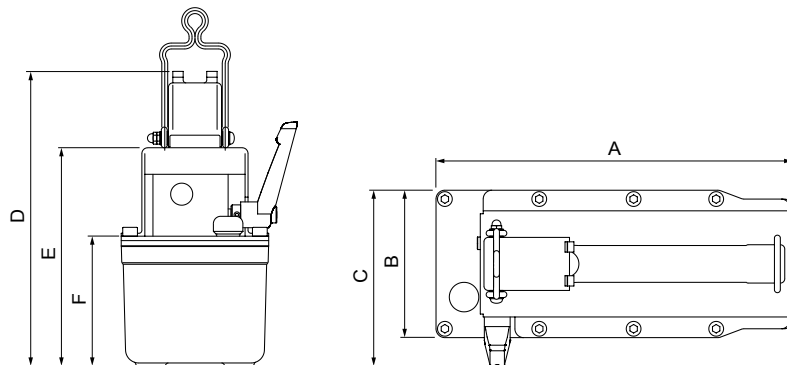
Technical data PYB

Model	Art.-No.	Displacement	Reservoir volume	Displacement 1 st stage	Displacement 2 nd stage	Weight without battery	Operational weight c/w battery
			cm ³	l/min	l/min	kg	kg
PYB-0,6	192043421	two-stage	600	0.7	0.06	4.8	5.5
PYB-1,0	192043988	two-stage	1000	0.7	0.06	5.7	6.4

Dimensions PYB

Model	PYB-0,6	PYB-1,0
A, mm	245	290
B, mm	100	100
C, mm	120	120
D, mm	200	229
E, mm	148	166
F, mm	88	106

Dimensions approx.



INFO

Battery and charger are not supplied in the standard scope of delivery. These items must be ordered separately.

Comparison

Cylinder size t	Hand pump No. of pump strokes for 10 mm stroke		Electric power pack PYB Piston travel speed in mm/s	
	HPS-2/0,7 A up to HPS-2/10 A LP	HPS-1/0,7 A up to HPS-2/10 A HP	LP	HP
	5	1	4	16.2
10	1	7	8.2	0.7
15	2	11	5.4	0.5
20	2	14	4.1	0.35
21	2	15	3.8	0.33
23	3	17	3.5	0.3
30	3	22	2.7	0.23

LP = Low-pressure stage (unloaded stroke)
HP = High-pressure stage (loaded stroke)



Shoulder belt



Hydraulic hose
HHC



Optional pressure gauge set
GYA-63



Quick-charger
PYB-CHARG



Battery
PYB-BAT



One-Hand-Operation
push-button integrated into ergonomic handle.